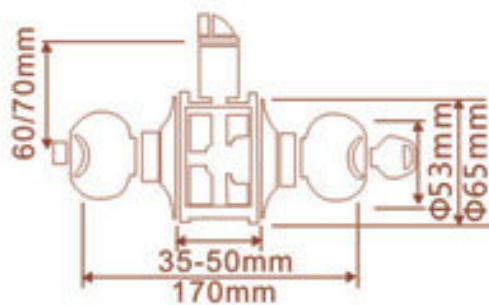


Cylindrical Knob Locks  
圆筒式球形门锁

587 Series  
587 系列



587SS



587SP



587PB



587SB



587AC



587AB



587BN/AC



587SB-BK



587SS-PS



578SS



578SP



578SB



578AC



578AB



578SB/WA



578SB-BK



578SS-PS

## 圆筒式球形锁

### 产品特点:

- \* 圆筒式球形锁是适宜家居选择的经济而理想的产品。
- \* 正当使用下产品开合寿命保障150,000次；符合美国ANSI三级标准。
- \* 与固定式门锁作通匙搭配可加强防盗性能。
- \* 采用全钢锁体和锁舌套，表面镀锌抗腐蚀。
- \* 外饰件均采用不锈钢或铜材料，铜可电镀各种颜色。
- \* 双层球体结构，安全性强。

## CYLINDRICAL LOCKSETS

### STANDARD FEATURES:

- \* Cylindrical lockset is an ideal economical choice for standard residential use.
- \* Meets 150,000 life cycles under proper usage ANSI A156.2 Grade 3 requirements.
- \* Can be keyed alike to deadbolts to maximize security.
- \* Solid steel chassis and latch case, zinc plated for corrosion resistance.
- \* Exposed trim is either wrought stainless steel or brass. Brass parts can be plated to various finish colors.
- \* 2-piece reinforced knob for better security.

### 产品规格：

- \* 钥匙：产品配美国标准KW1钥匙槽，采用5孔弹子铜质锁头，配三条铜镀镍钥匙，多种钥匙及钥匙槽可供选择。
- \* 锁舌：
  - 锁舌伸出长度12mm(1/2")。
  - 配置标准的70mm(2-3/4")的T形弯唇扣板。
  - 亦可订做57mm(2-1/4")圆形扣板。
- \* 适装门厚：适用于35mm(1-3/8")到45mm(1-3/4")的门厚。
- \* 中心距：标准中心距60mm(2-3/8")，可选用70mm(2-3/4")中心距。
- \* 门向：左开门或右开门均适用。

### Specifications:

- \* Keying: 5-pins tumbler KW1 keyway with three nickel-plated brass keys. Various keys and keyways are available.
- \* Latch Bolt:
  - 1/2" (12mm) latch extension.
  - 2-3/4" (70mm) curved lip strike as standard.
  - 2-1/4" (57mm) strike available upon request.
- \* Door Thickness: Adjustable 1-3/8" to 1-3/4" (35mm to 45mm) as standard.
- \* Backset: 2-3/8" (60mm) as standard backset, and 2-3/4" (70mm) backset available.
- \* Handing: Fully reversible for right or left hand doors.